



FWI-SS4 Series

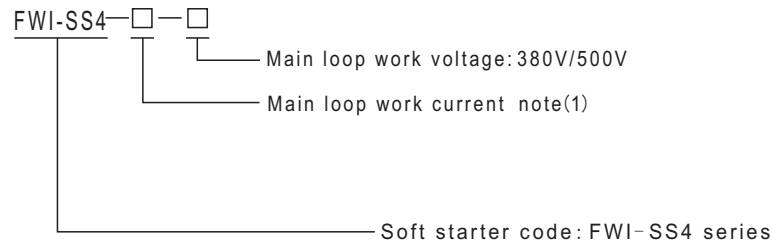
INTELLIGENT MOTOR SOFT STARTER



Shenzhen V&T Technologies Co.,Ltd.



■ FWI-SS4:Product model



Model selection notice item:

- Soft starter will finish the starting when the starting torque is more than load resisting torque.
- To the universal load for single constant load running such as pump, centrifugal pump and so on, if 3 times limiting current for cold state starting and the allowable starting time is 40s. If it is 4 times limiting current, the allowable time is 25s.
- For cycle starting, starting 10 times per hour, 3 times limiting current for 25s starting and 4 times limiting current for 15s. At this time, the thermal protection class is corresponding to class 10.
- To heavy load, take ball mill for example, the allowable starting times are 5 per hour. The current limiting is same with above mention.
- If increasing the starting frequency, the bigger power level product should be chosen.

■ Typical application of product

- Pump— use the soft stop function to relieve the emerging of water hammer of pump when it stops so as to save the cost of system repair.
- Ball mill— The soft starter will use the voltage ramp start to reduce the abrasive wear of mill gear and maintenance so as to prolong the using life. It is not only save the time, but also save the cost.
- Fan— reduce the belt wear and mechanical impact so as to save the cost of repair.
- Compressor— use the current limiting to realize the smooth starting so as to reduce the heating of motor and prolong the life compressor.
- Belt conveyor— use the soft starter to realize the gradual and smooth process of starting in order to avoid the product moving and liquid overflowing.

■ Technical features

- Main loop work voltage: AC380/500V (+10%~25%),
- Main loop work loop: 11A~1500A,
- Main loop frequency: 50Hz/60Hz ($\pm 2\%$),
- Control loop power supply: AC220V $\pm 15\%$ (0.5A),
- Soft starting rising time: 1 ~120S,
- Soft stop time: 0~60S,
- Current limiting times: 1.5~5.0le,
- Initial voltage: 30%~80%Ue,
- Cooling method: natural cooling,
- Communication method: RS485 series communication,
- Starting times $\leq 10/h$

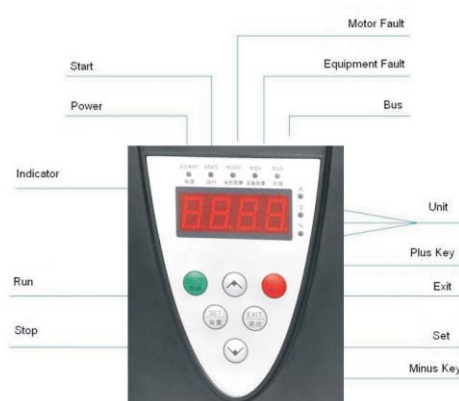
■ Using and ambient condition

Protection class	Ip00
Vibration resistance	Comply with IEC 68-2-6:2 to 13Hz is 1.5mm peak value 13 to 200Hz is 1gn
Impact resistance	Comply with IEC 68-2-27: 15g, 11ms
Maximum ambient pollution	Class 3, comply with IEC 947-4-2
Maximum relative humidity	93% no condensing or drip. Comply with IEC 68-2-3
Ambient temperature	Storage : -25°C to +70°C running : 10°C to +40°C without derating maximum +60°C , 2% Above 40°C, the current will reduce by 2% for temperature rising for per 1 °C.
Maximum running altitude	2000m without derating(above 2000m,current will reduce by 0.5% altitude rising for per 100m)
Running position	Vertical position, between $\pm 10^\circ$

■ Product Application:

This product is widely used for many different fields such as thermal power, hydroelectricity, Transmission and distribution equipment, metallurgy, chemical, mining and building, municipal engineering, light industry, textile and printing industry, Paper making and pharmaceutical industry, etc.

■ Instruction of Display Panel



Key:

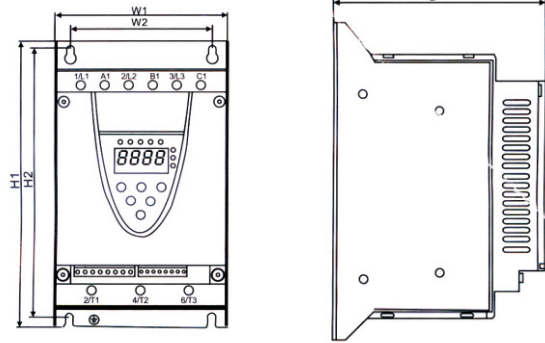
RUN: Start key: Start the motor, must set the control source.

STOP: Stop key: Stop the motor, must set the control source.

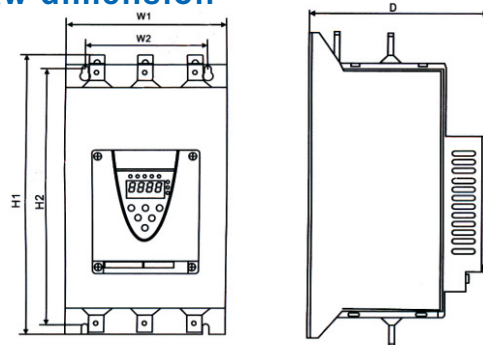
⬆️ ⬇️ ⬆️ Plus or minus key: increase and decrease key for menu and setting parameters.

SET: Parameter setting key: Enter the next level menu Key of saving the parameter.

EXIT: Return key: Exit from the previous menu.

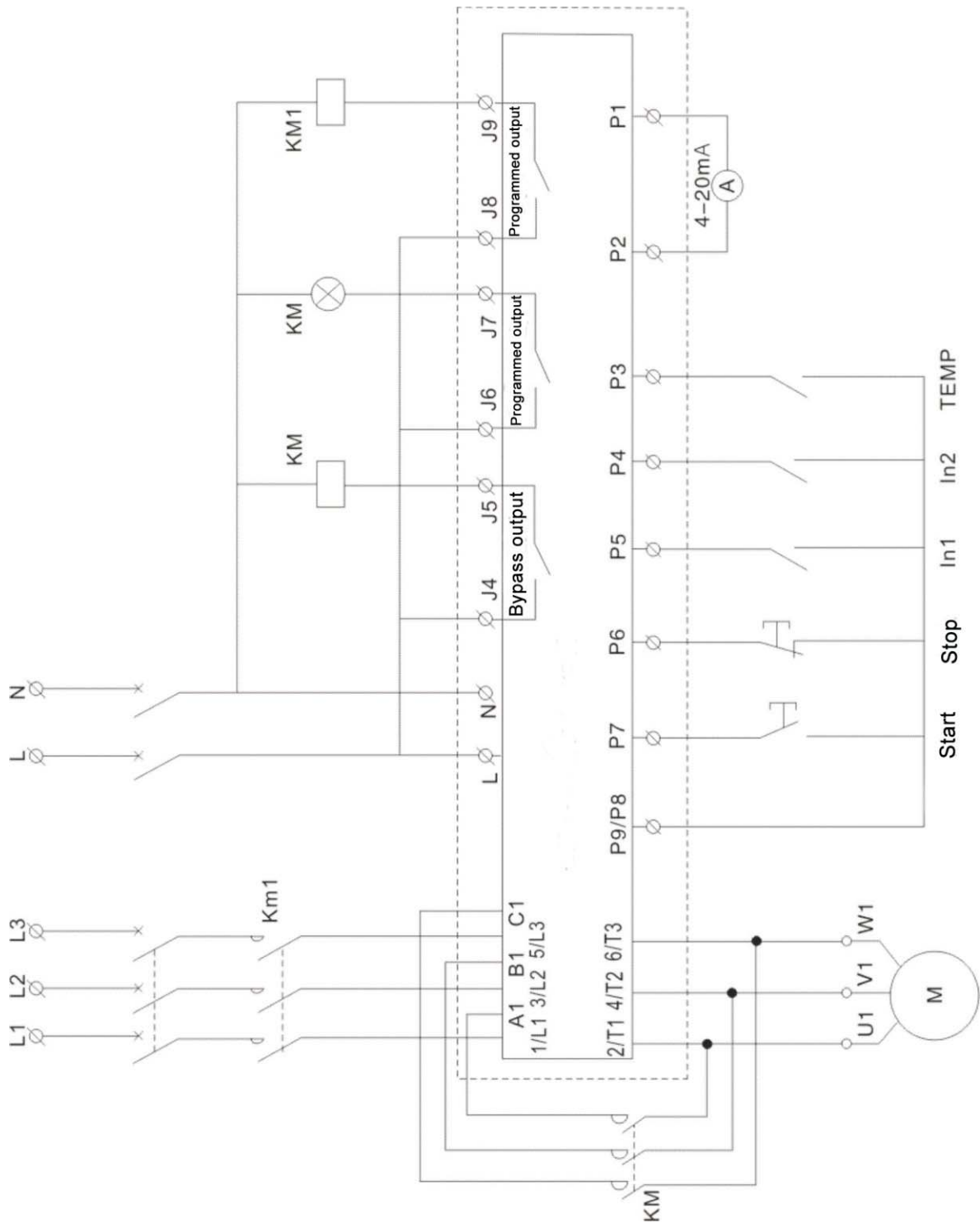
FWI Motor Soft Starter Installation Size:
7.5KW to 55KW dimension:


Model	Inm (A)	380V/Rated Power(kW)	Rated Current (A)	Overall dimensions (mm)			Mounting dimension (mm)			N. W. (kg)
				H1	W1	D	H2	W2	d	
FWI-SS4-7d5		7.5	15							
FWI-SS4-011		11	23							
FWI-SS4-015		15	30							
FWI-SS4-018		18.5	37							
FWI-SS4-022	110	22	43	310	165	195	290	128	M6	<4
FWI-SS4-030		30	60							
FWI-SS4-037		37	75							
FWI-SS4-045		45	90							
FWI-SS4-055		55	110							

75kw to 700kw dimension


Model	Inm (A)	380V/Rated Power(kW)	Rated Current (A)	Overall dimensions (mm)			Mounting dimension (mm)			N. W. (kg)
				H1	W1	D	H2	W2	d	
FWI-SS4-75		75	150							
FWI-SS4-90	220	90	180	470	250	235	433	190	M8	<18
FWI-SS4-115		115	220							
FWI-SS4-132		132	260							
FWI-SS4-160	350	1690	310	558	283	270	492	225	M8	<20
FWI-SS4-185		185	350							
FWI-SS4-200		200	390							
FWI-SS4-250	670	250	480	610	325	295	538	260	M10	<25
FWI-SS4-320		320	600							
FWI-SS4-350		350	670							
FWI-SS4-400		400	780							
FWI-SS4-500	1350	500	900	755	410	345	685	340	M10	<42
FWI-SS4-600		600	1150							
FWI-SS4-700		700	1350							

■ Wiring Diagram



■ Principle

